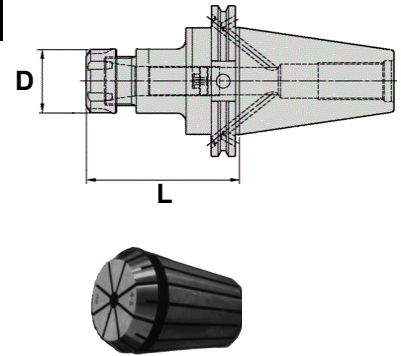


CAT. 40 SHANK "ER" COLLET CHUCKS

COLLET SERIES	C CAPACITY	L	D DIA.	COLLET NUT	COLLET WRENCH	COLLET CHUCK PART#
ER16	1/16-13/32	2-1/2"	1.10	LNHSER16M	OEW25M	CV40BER16250
ER16	1/16-13/32	5"	1.10	LNHSER16M	OEW25M	CV40BER16500
ER20	1/16-1/2	2-1/2"	1.34	LNHSER20M	OEW30M	CV40BER20250
ER20	1/16-1/2	6"	1.34	LNHSER20M	OEW30M	CV40BER20600
ER25	1/16-5/8	2-1/2"	1.65	LNSER25M	ER25WM	CV40BER25250
ER25	1/16-5/8	6"	1.65	LNSER25M	ER25WM	CV40BER25600
ER32	3/32-3/4	1.69"	1.41	LNECSER32M	OEW32M	CV40SER32169
ER32	3/32-3/4	1.06"	1.41	LNECSER32M	OEW32M	CV40ZSER32106
ER32	3/32-3/4	2-3/4"	1.97	LNSER32M	ER32WM	CV40BER32275
ER32	3/32-3/4	6"	1.97	LNSER32M	ER32WM	CV40BER32600
ER40	1/8-1	3"	2.48	LNSER40M	ER40WM	CV40BER40300
ER40	1/8-1	6"	2.48	LNSER40M	ER40WM	CV40BER40600

CAT. 50 SHANK "ER" COLLET CHUCKS

COLLET SERIES	C CAPACITY	L	D DIA.	COLLET NUT	COLLET WRENCH	COLLET CHUCK PART#
ER16	1/16-13/32	2-1/2"	1.10	LNHSER16M	OEW25M	CV50BER16250
ER16	1/16-13/32	4"	1.10	LNHSER16M	OEW25M	CV50BER16400
ER16	1/16-13/32	6"	1.10	LNHSER16M	OEW25M	CV50BER16600
ER20	1/16-1/2	2-1/2"	1.34	LNHSER20M	OEW30M	CV50BER20250
ER20	1/16-1/2	4"	1.34	LNHSER20M	OEW30M	CV50BER20400
ER20	1/16-1/2	6"	1.34	LNHSER20M	OEW30M	CV50BER20600
ER25	1/16-5/8	2-1/2"	1.65	LNSER25M	ER25WM	CV50BER25250
ER25	1/16-5/8	4"	1.65	LNSER25M	ER25WM	CV50BER25400
ER25	1/16-5/8	6"	1.65	LNSER25M	ER25WM	CV50BER25600
ER32	3/32-3/4	1.06"	1.41	LNECSER32M	OEW32M	CV50ZSER32106
ER32	3/32-3/4	1.69"	1.41	LNECSER32M	OEW32M	CV50SER32169
ER32	3/32-3/4	2-3/4"	1.81	LNSER32M	ER32WM	CV50BER32275
ER32	3/32-3/4	4"	1.81	LNSER32M	ER32WM	CV50BER32400
ER32	3/32-3/4	6"	1.81	LNSER32M	ER32WM	CV50BER32600
ER40	1/8-1	1.06"	1.81	LNECSER40M	OEW168	CV50ZSER40106
ER40	1/8-1	1.69"	1.81	LNECSER40M	OEW168	CV50SER40169
ER40	1/8-1	3"	2.48	LNSER40M	ER40WM	CV50BER40300
ER40	1/8-1	6"	2.48	LNSER40M	ER40WM	CV50BER40600



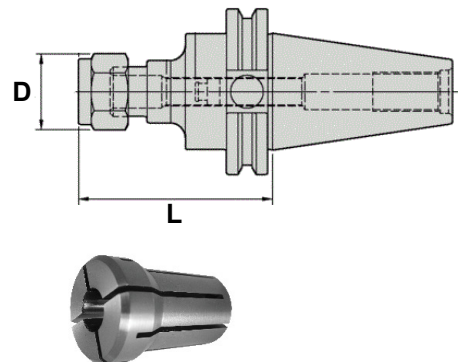
SEE PAGES 156-160 FOR COLLETS.

CAT. 40 SHANK "DA" COLLET CHUCKS

COLLET SERIES	C CAPACITY	L	D DIA.	H HEX	COLLET CHUCK PART#
300DA	1/64-1/4	3"	0.86	11/16"	CV40DA308300
200DA	3/64-25/64	3"	1.15	1"	CV40DA208300
200DA	3/64-25/64	5"	1.15	1"	CV40DA208500
100DA	3/64-9/16	3"	1.39	1-1/4"	CV40DA108300
180DA	3/64-3/4	5"	1.73	1-1/2"	CV40DA188500
180DA	3/64-3/4	3"	1.73	1-1/2"	CV40DA188300
180DA	3/64-3/4	6"	1.73	1-1/2"	CV40DA188600

CAT. 50 SHANK "DA" COLLET CHUCKS

COLLET SERIES	C CAPACITY	L	D DIA.	H HEX	COLLET CHUCK PART#
100DA	3/64-9/16	3"	1.39	1-1/4"	CV50DA108300
100DA	3/64-9/16	6"	1.39	1-1/4"	CV50DA108600
180DA	3/64-3/4	3"	1.73	1-1/2"	CV50DA188300
180DA	3/64-3/4	6"	1.73	1-1/2"	CV50DA188600



SEE PAGES 162-163 FOR COLLETS.

V-FLANGE COLLET CHUCKS