

ACCU-SET Balance Turning Tool

Shown in 3 styles below - See page 78 for improved Tangi-Square design!

FEATURES

- All cutting tool slides are interchangeable. (see parts list). Converts from H.S.S. to carbide in seconds.
- All cutting tool slides are adjustable to center to compensate for machine misalignment.
- Micrometer adjustment of cutting tool slides- each graduation = .004" (1MM) on diameter (easily set in between for .001 or less movement.)
- Fine adjustment of H.S.S. cutting tool provided by rocker screw.
- Available for left hand operation.



BATT STYLE
With H.S.S. Cutting Tool Slides



BAVTT STYLE
With Triangular Carbide Insert Slides

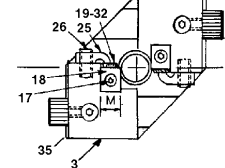
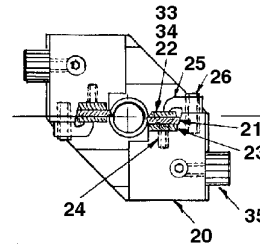
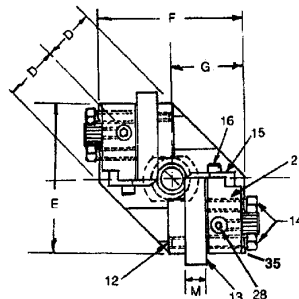
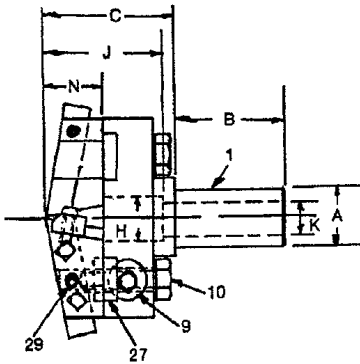


BACTT STYLE
With Rectangular Carbide Insert Slides



- Triangular carbide Inserts cut radially.

- Only available left hand, right hand tools have been replaced with TANGI-SQUARE BASTT style holder. Page 78.



Balance Turning Tool	Cat. No.	Cat. No.	Cat. No.
With H.S.S. Cutting Tool Slide	BATT00	BATT0	BATT2
With H.S.S. Cutting Tool Slide LH	BATT00-L	BATT0-L	BATT2-L
With Rectangular Carbide Insert Tool Slide LH	BACTT00-L	BACTT0-L	BACTT2-L
With Triangular Carbide Insert Tool Slide	BAVTT00	BAVTT0	BAVTT2
With Triangular Carbide Insert Tool Slide LH	BAVTT00-L	BAVTT0-L	BAVTT2-L
A	5/8	3/4	1"
B	1-9/32	1-1/2	1-15/16
C	1-17/32	2-3/16	3"
D	13/16	1-3/16	1-3/8
E	2-1/4	2-3/4	3-1/2
F	2-3/8	3"	3-3/4
G	1-3/16	1-1/2	1-7/8
H	5/8	7/8	1-1/4
J	1-7/16	1-7/8	2-3/4
K	3/8	1/2	5/8
M	5/16	3/8	7/16
N	11/16	1-1/16	1-1/2
Turning Capacity	Up to 3/8 Dia. x Mach. Cap.	Up to 1/2 Dia. x Mach. Cap.	Up to 5/8 Dia. x Mach. Cap.
	25/64 to 5/8 Dia. x 1-3/8 Lg	33/64 to 7/8 Dia. x 1-7/8 Lg	41/64 to 1-1/4 Dia. x 2-3/4 Lg

Parts for Tool Numbers	BATT00 BAVTT00 BATT00-L BACTT00-L BAVTT00-L	BATT0 BAVTT0 BATT0-L BACTT0-L BAVTT0-L	BATT2 BAVTT2 BATT2-L BACTT2-L BAVTT2-L
Part No.	Cat. No.	Cat. No.	Cat. No.
1. Body	BATT00-1	BATT0-1	BATT2-1
1. Body LH	BATT00-1L	BATT0-1L	BATT2-1L
2. HSS Tool Slide	ATT00-2	ATT0-2	ATT2-2
2. HSS Tool Slide LH	ATT00-2L	ATT0-2L	ATT2-2L
3. Rectangular Insert Tool Slide LH	ATT00-3L	ATT0-3L	ATT2-3L
9. Micrometer Screw	ATT00-9	ATT0-9	ATT2-9
10. H.S.S. Tool Slide Lock Screw	ATT00-10	ATT0-10	ATT2-10
12. Rocker Screw	TT00-12	TH000-3	1ANR-6
13. HSS Cutting Tool	TT00-8	TT1-8	TT2-8
14. Tool Lock Screw	ATT00-14	ATT0-14	ATT2-14
15. HSS Chip Breaker	ATT00-15	ATT0-15	ATT2-15
16. Chip Breaker Screw	ATT00-16	ATT0-16	TCOBH00-SCR
17. Rectangular Insert Screw	ATT00-17	ATT0-17	ATT2-17
18. Rectangular Inserts Grade C-2 Carbide	CIH00-5-C2	CIH1-5-C2	CIH2-5-C2
Grade C-7 Carbide	CIH00-5-C7	CIH1-5-C7	CIH2-5-C7
19. Rectangular Carbide Chip Breaker	ATT00-19	ATT00-19	ATT2-19
20. Triangular Insert Tool Slide	ATT00-20	ATT0-20	ATT2-20
20. Triangular Insert Tool Slide LH	ATT00-20L	ATT0-20L	ATT2-20L
21. Triangular Inserts Grade C-2 Carbide	ATT00-21-C2	ATT00-21-C2	ATT2-21-C2
Grade C-7 Carbide	ATT00-21-C7	ATT00-21-C7	ATT2-21-C7
22. Triangular Carbide Chip Breaker	ATT00-22	ATT00-22	ATT2-22
23. Triangular Anvil	ATT00-23	ATT00-23	ATT2-23
24. Triangular Anvil Screw	ATT00-24	ATT00-24	ATT2-24
25. Carbide Insert Clamp	ATT00-25	ATT00-25	ATT2-25
26. Carbide Insert Clamp Screw	ATT00-26	ATT00-26	ATT2-26
27. Slide Plate	ATT00-27	ATT00-27	ATT2-27
27. Slide Plate LH	ATT00-27L	ATT0-27L	ATT2-27L
28. Adjusting Stud	ATT00-28	ATT0-28	ATT2-28
29. Adj Stud Lock Screw	ATT00-12	ATT00-12	1ANR-6
32. Backup Plate & Screw	ATT00-32	ATT0-32	ATT2-32
33. Triangular Chip Breaker Adjuster	ATT00-33	ATT00-33	ATT00-33
34. Breaker Adj Screw	ATT00-34	ATT00-34	ATT00-34
35. Slide Clamp Screw	ATT00-35	ATT0-35	ATT00-12

Tool Slide Only Replacement	For BATT00 Cat. No.	For BATT0 Cat. No.	For BATT2 Cat. No.
Complete H.S.S. Cutting Tool Slide	ATT00-CTS	ATT0-CTS	ATT2-CTS
Complete H.S.S. Cutting Tool Slide LH	ATT00-CTS-L	ATT0-CTS-L	ATT2-CTS-L
Complete Rectangular Carbide Insert Slide LH	ATT00-RCS-L	ATT0-RCS-L	ATT2-RCS-L
Complete Triangular Carbide Insert Slide	ATT00-VCS	ATT0-VCS	ATT2-VCS
Complete Triangular Carbide Insert Slide LH	ATT00-VCS-L	ATT0-VCS-L	ATT2-VCS-L